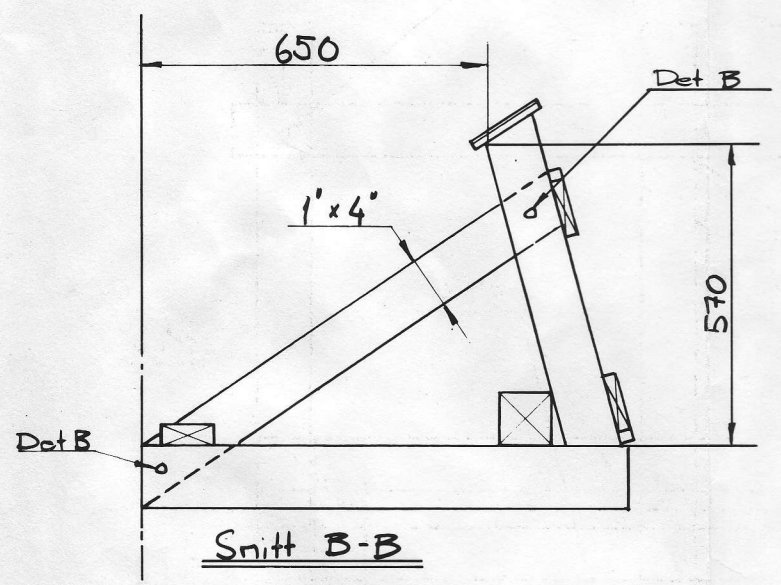
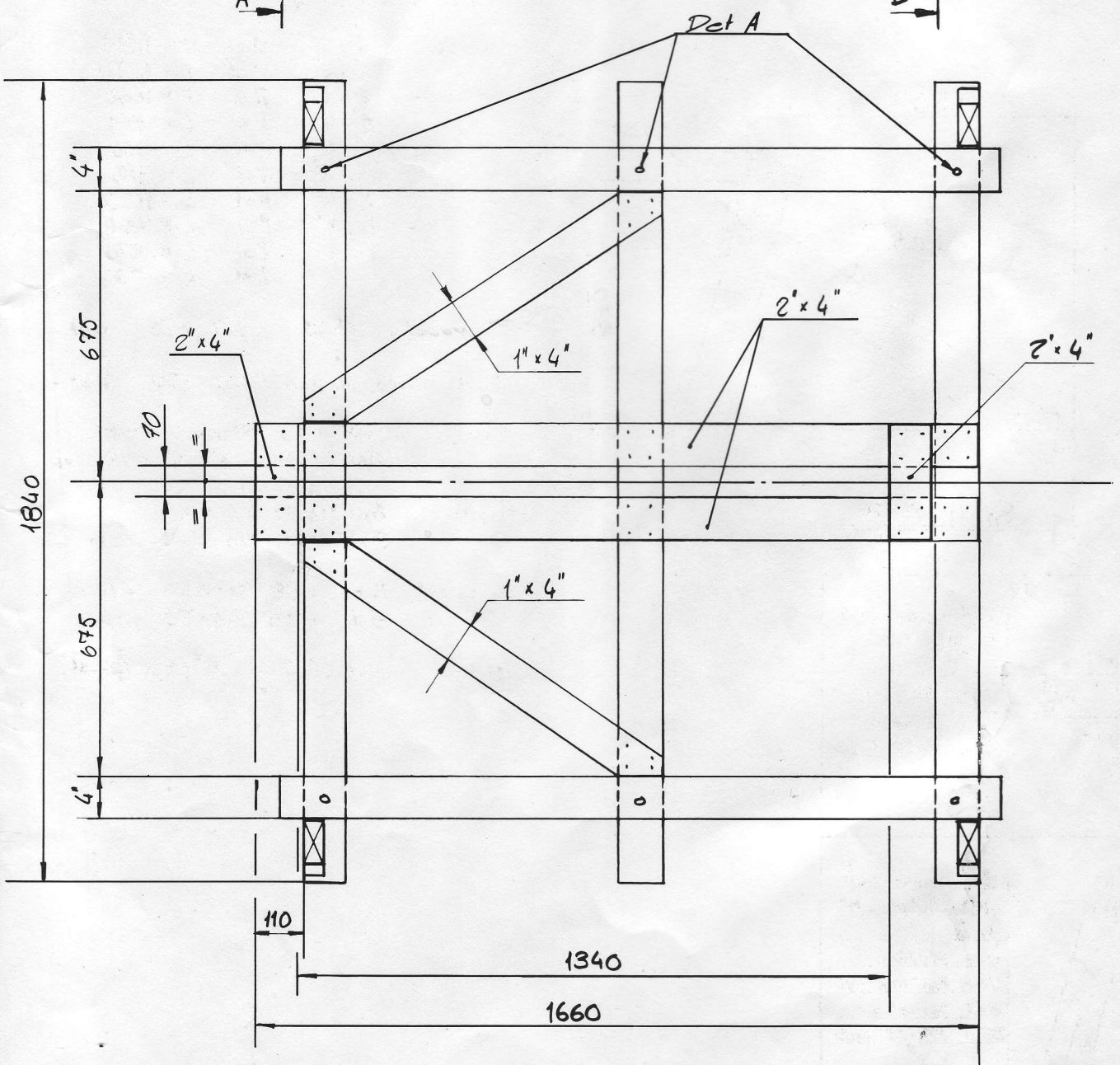
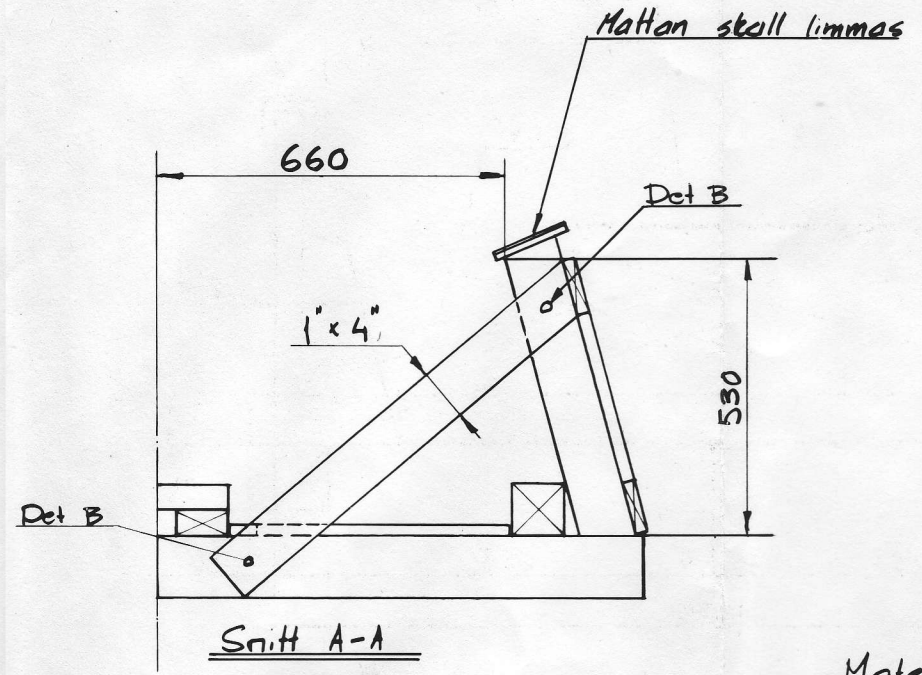
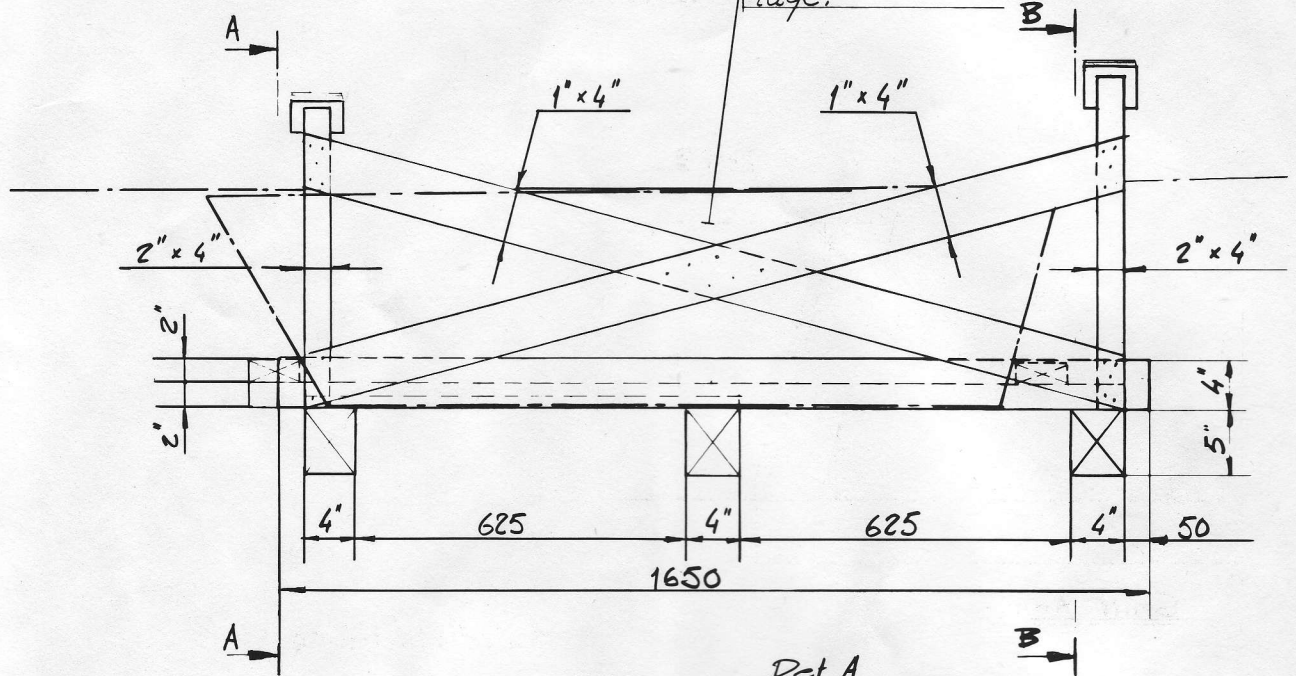


Kölen i uppfällt
läge.



Materialåtgång

| | | | |
|-------|---------|------|----------|
| Virke | 4" x 5" | 3 st | L = 1840 |
| | 4" x 4" | 2 st | L = 1650 |
| | 2" x 4" | 2 st | L = 1660 |
| | 2" x 4" | 2 st | L = 270 |
| | 2" x 4" | 2 st | L = 600 |
| | 2" x 4" | 2 st | L = 650 |
| | 1" x 4" | 4 st | L = 1650 |
| | 1" x 4" | 2 st | L = 1000 |
| | 1" x 4" | 2 st | L = 270 |
| | 1" x 4" | 2 st | L = 980 |

- Plywood 15 mm 100 x 150 4 st
- Nälfiltmatta el. likn. 100 x 150 4 st
- Skruv 6 st U6S 1/2" UNC = 229
8 st UVBF 3/8" UNC = 89 feb
- Muttrar 6 st U6M 1/2" UNC
8 st U6M 3/8" UNC feb
- Brickor 12 st 4BB 14x50 feb
8 st BB 10,5x22 feb
- Spik ca 120 st 4" (Bet. 100-34)

